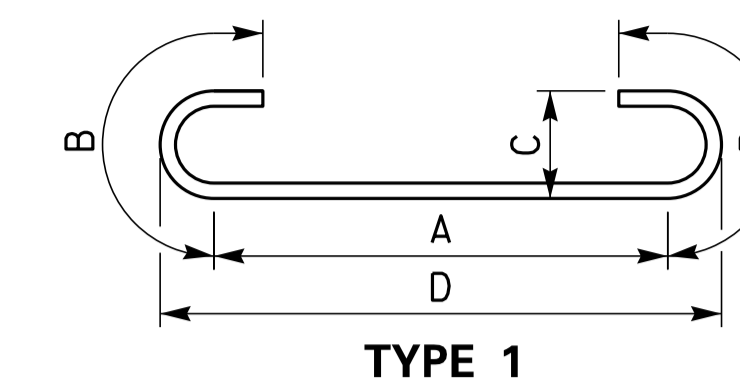


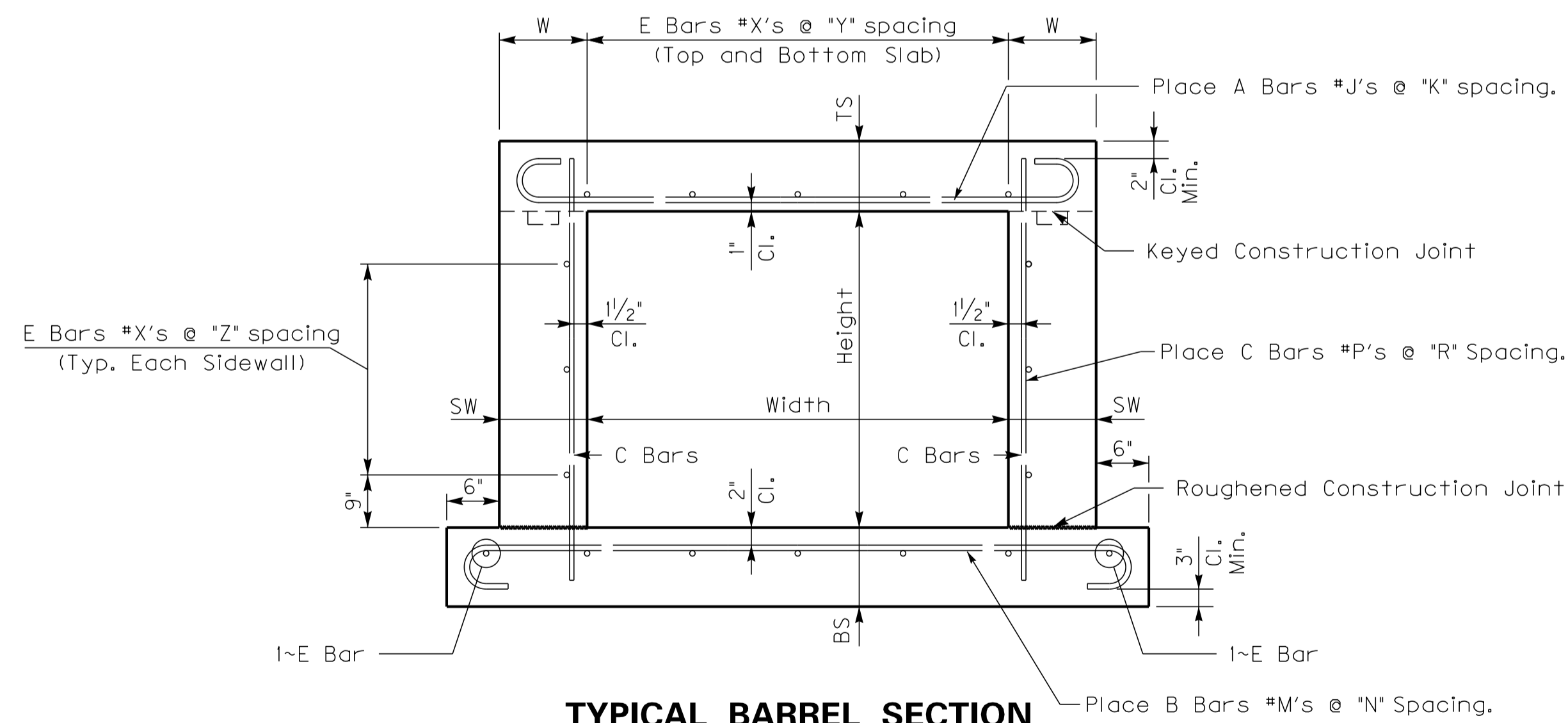
4'-0" Width x 4'-0" Height

Fill Height (Ft.)	Top Slab										Bottom Slab										Sidewall					Mark "E" Distribution				Quantities		
	TS	J	K	Mark	Type	Length	A	B	C	D	BS	M	N	Mark	Type	Length	A	B	C	D	SW	P	R	Mark	Type	Length	W	X	Y	Z	Concrete CY/LF	Steel LBS/LF
0-2	8"	5	6"	A	1	6-7	4-11	0-10	0-5	5-4	9"	5	6"	B	1	7-7	5-11	0-10	0-5	6-4	10"	5	12"	C	Str	5-0	10"	5	12"	12"	0.58	61
2.01-5	8"	5	7"	A	1	6-7	4-11	0-10	0-5	5-4	9"	5	7"	B	1	7-7	5-11	0-10	0-5	6-4	10"	5	12"	C	Str	5-0	10"	5	12"	12"	0.58	57
5-10	8"	5	9"	A	1	6-7	4-11	0-10	0-5	5-4	9"	5	9"	B	1	7-7	5-11	0-10	0-5	6-4	10"	5	12"	C	Str	5-0	10"	5	12"	12"	0.58	52
10-15	8"	5	7"	A	1	6-7	4-11	0-10	0-5	5-4	9"	5	7"	B	1	7-7	5-11	0-10	0-5	6-4	10"	5	12"	C	Str	5-0	10"	5	12"	12"	0.58	57
15-20	8"	5	6"	A	1	6-7	4-11	0-10	0-5	5-4	9"	5	6"	B	1	7-7	5-11	0-10	0-5	6-4	10"	5	12"	C	Str	5-0	10"	5	12"	12"	0.58	61
20-25	8"	5	5"	A	1	6-7	4-11	0-10	0-5	5-4	9"	5	5"	B	1	7-7	5-11	0-10	0-5	6-4	10"	5	12"	C	Str	5-0	10"	5	12"	12"	0.58	67
25-30	9"	5	5"	A	1	6-7	4-11	0-10	0-5	5-4	10"	5	5"	B	1	7-7	5-11	0-10	0-5	6-4	10"	5	12"	C	Str	5-2	10"	5	12"	12"	0.62	68
30-35	9"	6	5"	A	1	6-10	4-10	1-0	0-6	5-4	10"	6	5"	B	1	7-10	5-10	1-0	0-6	6-4	10"	5	12"	C	Str	5-2	10"	5	12"	12"	0.62	85
35-40	10"	6	5"	A	1	6-10	4-10	1-0	0-6	5-4	11"	6	5"	B	1	7-10	5-10	1-0	0-6	6-4	10"	5	12"	C	Str	5-4	10"	5	12"	12"	0.65	85

NOTE:
A & B bars may need to be rotated to maintain shown clearances.



NOTE:
Bar Dimensions are per bar.



TYPICAL BARREL SECTION

DATE 11/2017
 DRAWN E. Downey
 CHECKED J. Van Zee
 RECOMMENDED _____
 APPROVED F.H.W.A. _____
 REVISED BY _____

KENTUCKY DEPARTMENT OF HIGHWAYS	
STANDARD CULVERT 4'-0" WIDTH	
STANDARD DRAWING NO. B...-001-01	
SUBMITTED _____ DIRECTOR DIVISION OF STRUCTURAL DESIGN	11-01-17 DATE
APPROVED _____ STATE HIGHWAY ENGINEER	11-01-17 DATE

6'-0" Width x 4'-0" Height

Fill Height (Ft.)	Top Slab										Bottom Slab										Sidewall					Mark "E" Distribution				Quantities		
	TS	J	K	Mark	Type	Length	A	B	C	D	BS	M	N	Mark	Type	Length	A	B	C	D	SW	P	R	Mark	Type	Length	W	X	Y	Z	Concrete CY/LF	Steel LBS/LF
0-2	9"	5	5"	A	1	8-7	6-11	0-10	0-5	7-4	10"	5	5"	B	1	9-7	7-11	0-10	0-5	8-4	10"	5	12"	C	Str	5-2	10"	5	12"	12"	0.73	82
2.01-5	9"	5	5"	A	1	8-7	6-11	0-10	0-5	7-4	10"	5	5"	B	1	9-7	7-11	0-10	0-5	8-4	10"	5	12"	C	Str	5-2	10"	5	12"	12"	0.73	82
5-10	8"	5	6"	A	1	8-7	6-11	0-10	0-5	7-4	9"	5	6"	B	1	9-7	7-11	0-10	0-5	8-4	10"	5	12"	C	Str	5-0	10"	5	12"	12"	0.68	74
10-15	9"	5	5"	A	1	8-7	6-11	0-10	0-5	7-4	10"	5	5"	B	1	9-7	7-11	0-10	0-5	8-4	10"	5	12"	C	Str	5-2	10"	5	12"	12"	0.73	82
15-20	9"	6	5"	A	1	8-10	6-10	1-0	0-6	7-4	10"	6	5"	B	1	9-10	7-10	1-0	0-6	8-4	10"	5	12"	C	Str	5-2	10"	5	12"	12"	0.73	104
20-25	10"	6	5"	A	1	8-10	6-10	1-0	0-6	7-4	11"	6	5"	B	1	9-10	7-10	1-0	0-6	8-4	10"	5	12"	C	Str	5-4	10"	5	12"	12"	0.78	104
25-30	11"	7	6"	A	1	9-1	6-9	1-2	0-7	7-4	12"	7	6"	B	1	10-1	7-9	1-2	0-7	8-4	10"	5	12"	C	Str	5-6	10"	5	12"	12"	0.83	115
30-35	12"	8	6"	A	1	9-2	6-8	1-3	0-8	7-4	13"	8	6"	B	1	10-2	7-8	1-3	0-8	8-4	10"	5	12"	C	Str	5-8	10"	5	12"	12"	0.88	141
35-40	13"	8	5"	A	1	9-2	6-8	1-3	0-8	7-4	14"	8	5"	B	1	10-2	7-8	1-3	0-8	8-4	10"	5	12"	C	Str	5-10	10"	5	12"	12"	0.93	162

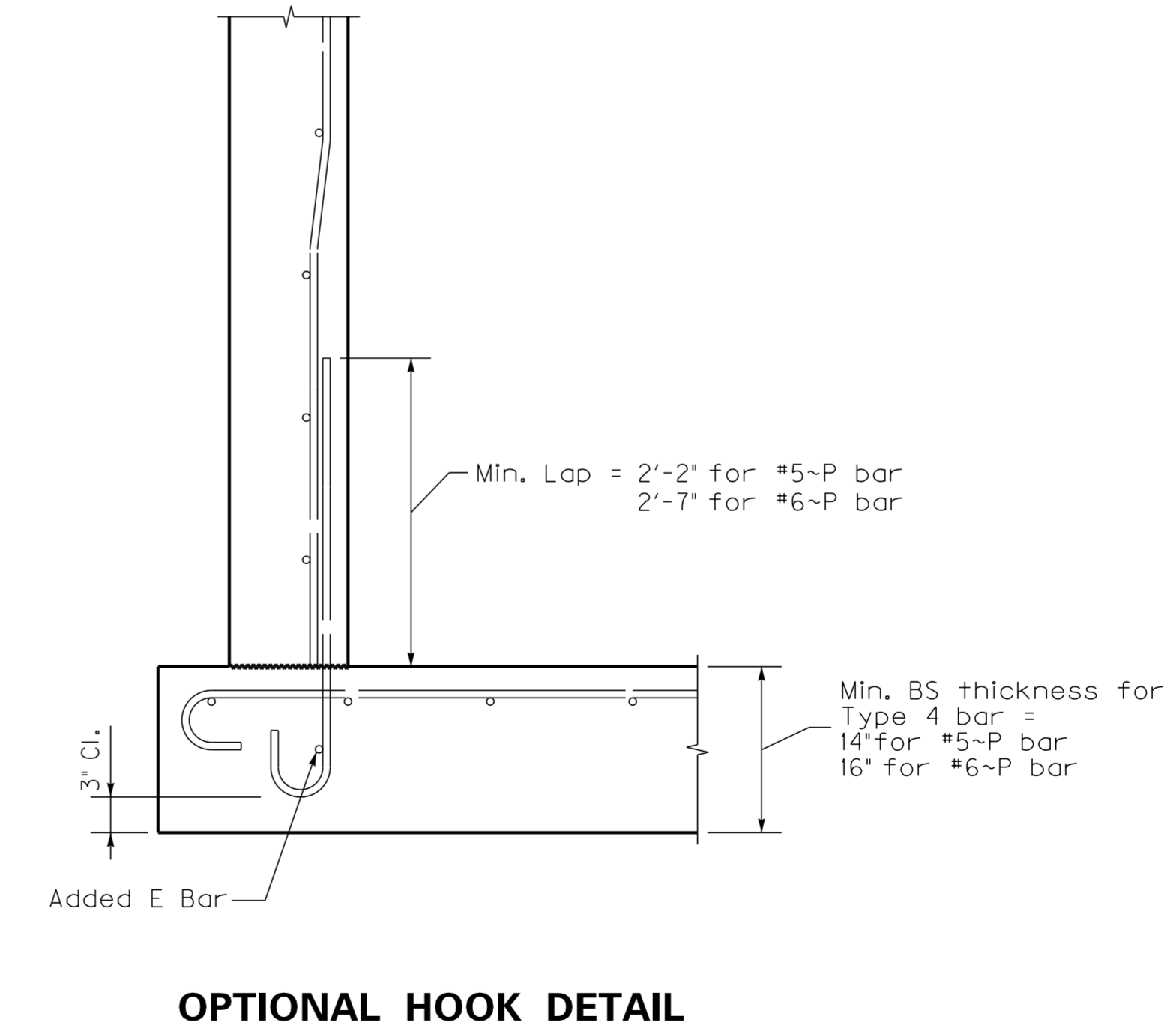
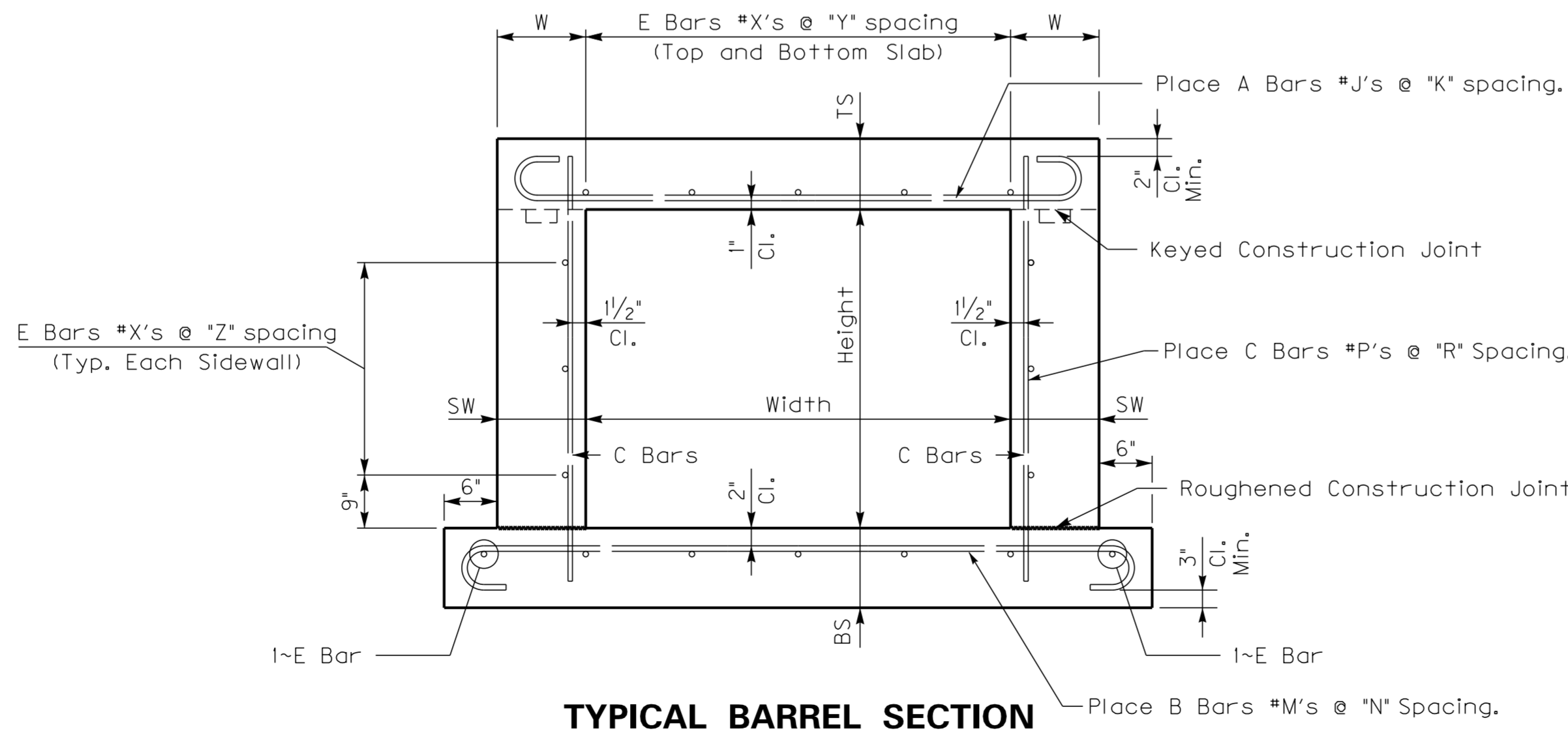
6'-0" Width x 6'-0" Height

Fill Height (Ft.)	Top Slab										Bottom Slab										Sidewall					Mark "E" Distribution				Quantities		
	TS	J	K	Mark	Type	Length	A	B	C	D	BS	M	N	Mark	Type	Length	A	B	C	D	SW	P	R	Mark	Type	Length	W	X	Y	Z	Concrete CY/LF	Steel LBS/LF
0-2	9"	5	5"	A	1	8-7	6-11	0-10	0-5	7-4	10"	5	5"	B	1	9-7	7-11	0-10	0-5	8-4	10"	5	12"	C	Str	7-2	10"	5	12"	12"	0.86	90
2.01-5	9"	5	5"	A	1	8-7	6-11	0-10	0-5	7-4	10"	5	5"	B	1	9-7	7-11	0-10	0-5	8-4	10"	5	12"	C	Str	7-2	10"	5	12"	12"	0.86	90
5-10	8"	5	6"	A	1	8-7	6-11	0-10	0-5	7-4	9"	5	6"	B	1	9-7	7-11	0-10	0-5	8-4	10"	5	12"	C	Str	7-0	10"	5	12"	12"	0.81	82
10-15	9"	5	5"	A	1	8-7	6-11	0-10	0-5	7-4	10"	5	5"	B	1	9-7	7-11	0-10	0-5	8-4	10"	5	12"	C	Str	7-2	10"	5	12"	12"	0.86	90
15-20	9"	6	5"	A	1	8-10	6-10	1-0	0-6	7-4	10"	6	5"	B	1	9-10	7-10	1-0	0-6	8-4	10"	5	11"	C	Str	7-2	10"	5	12"	12"	0.86	113
20-25	10"	6	5"	A	1	8-10	6-10	1-0	0-6	7-4	11"	6	5"	B	1	9-10	7-10	1-0	0-6	8-4	10"	5	10"	C	Str	7-4	10"	5	12"	12"	0.91	115
25-30	11"	7	5"	A	1	9-1	6-9	1-2	0-7	7-4	12"	7	5"	B	1	10-1	7-9	1-2	0-7	8-4	10"	5	9"	C	Str	7-6	10"	5	12"	12"	0.96	145
30-35	12"	8	5"	A	1	9-2	6-8	1-3	0-8	7-4	13"	8	5"	B	1	10-2	7-8	1-3	0-8	8-4	10"	5	8"	C	Str	7-8	10"	5	12"	12"	1.01	178
35-40	14"	7	5"	A	1	9-1	6-9	1-2	0-7	7-4	15"	7	5"	B	1	10-1	7-9	1-2	0-7	8-4	10"	5	7"	C	Str	8-0	10"	5	12"	12"	1.11	152

6'-0" Width x 8'-0" Height

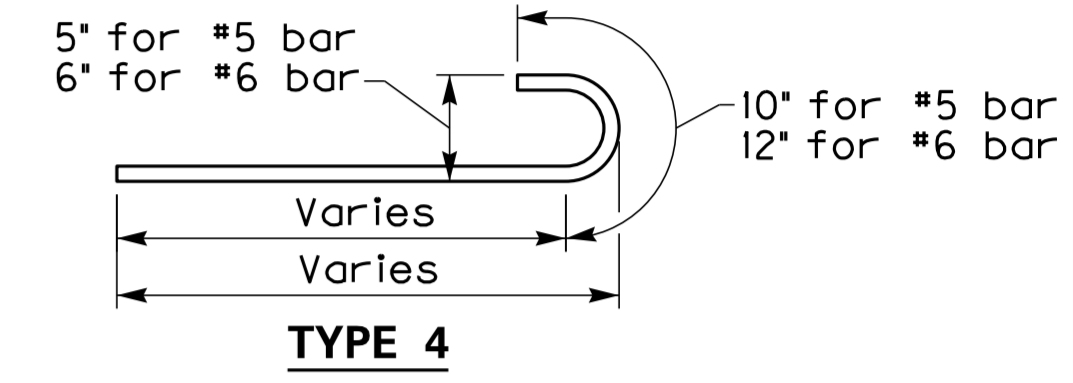
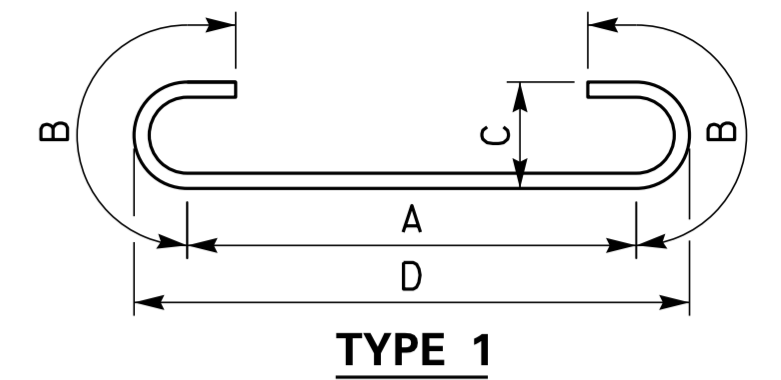
Fill Height (Ft.)	Top Slab										Bottom Slab										Sidewall					Mark "E" Distribution				Quantities		
	TS	J	K	Mark	Type	Length	A	B	C	D	BS	M	N	Mark	Type	Length	A	B	C	D	SW	P	R	Mark	Type	Length	W	X	Y	Z	Concrete CY/LF	Steel LBS/LF
0-2	9"	5	5"	A	1	8-7	6-11	0-10	0-5	7-4	10"	5	5"	B	1	9-7	7-11	0-10	0-5	8-4	10"	5	12"	C	Str	9-2	10"	5	12"	12"	0.98	99
2.01-5	9"	5	5"	A	1	8-7	6-11	0-10	0-5	7-4	10"	5	5"	B	1	9-7	7-11	0-10	0-5	8-4	10"	5	12"	C	Str	9-2	10"	5	12"	12"	0.98	99
5-10	8"	5	5"	A	1	8-7	6-11	0-10	0-5	7-4	9"	5	5"	B	1	9-7	7-11	0-10	0-5	8-4	10"	5	10"	C	Str	9-0	10"	5	12"	12"	0.93	102
10-15	9"	5	5"	A	1	8-7	6-11	0-10	0-5	7-4	10"	5	5"	B	1	9-7	7-11	0-10	0-5	8-4	10"	5	9"	C	Str	9-2	10"	5	12"	12"	0.98	105
15-20	9"	6	5"	A	1	8-10	6-10	1-0	0-6	7-4	10"	6	5"	B	1	9-10	7-10	1-0	0-6	8-4	10"	5	8"	C	Str	9-2	10"	5	12"	12"	0.98	130
20-25	10"	6	5"	A	1	8-10	6-10	1-0	0-6	7-4	11"	6	5"	B	1	9-10	7-10	1-0	0-6	8-4	10"	5	7"	C	Str	9-4	10"	5	12"	12"	1.03	135
25-30	11"	8	6"	A	1	9-2	6-8	1-3	0-8	7-4	12"	8	6"	B	1	10-2	7-8	1-3	0-8	8-4	10"	5	6"	C	Str	9-6	10"	5	12"	12"	1.08	177
30-35	12"	8	5"	A	1	9-2	6-8	1-3	0-8	7-4	13"	8	5"	B	1	10-2	7-8	1-3	0-8	8-4	10"	5	5"	C	Str	9-8	10"	5	12"	12"	1.13	206
35-40	14"	8	5"	A	1	9-2	6-8	1-3	0-8	7-4	15"	8	5"	B	1	10-2	7-8	1-3	0-8	8-4	10"	6	6"	C	Str	10-0	10"	5	12"	12"	1.23	218

NOTE:
Bar Dimensions are per bar.



NOTE:
The contractor will not be paid additionally if optional hook detail is used.

NOTE:
A & B bars may need to be rotated to maintain shown clearances.



DATE 11/2017
DRAWN E. Downey
CHECKED J. Van Zee
RECOMMENDED
APPROVED F.H.W.A.
REVISED BY

KENTUCKY
DEPARTMENT OF HIGHWAYS

STANDARD CULVERT
6'-0" WIDTH

STANDARD DRAWING NO. B--002-01

SUBMITTED 11-01-17
DIRECTOR DIVISION OF STRUCTURAL DESIGN DATE
APPROVED 11-01-17
STATE HIGHWAY ENGINEER DATE

8'-0" Width x 4'-0" Height

Fill Height (Ft.)	Top Slab										Bottom Slab										Sidewall					Mark "E" Distribution				Quantities		
	TS	J	K	Mark	Type	Length	A	B	C	D	BS	M	N	Mark	Type	Length	A	B	C	D	SW	P	R	Mark	Type	Length	W	X	Y	Z	Concrete CY/LF	Steel LBS/LF
0-2	10"	6	6"	A	1	10-10	8-10	1-0	0-6	9-4	11"	6	6"	B	1	11-10	9-10	1-0	0-6	10-4	10"	5	12"	C	Str	5-4	10"	5	12"	12"	0.91	109
2.01-5	10"	6	5"	A	1	10-10	8-10	1-0	0-6	9-4	11"	6	5"	B	1	11-10	9-10	1-0	0-6	10-4	10"	5	12"	C	Str	5-4	10"	5	12"	12"	0.91	123
5-10	10"	5	5"	A	1	10-7	8-11	0-10	0-5	9-4	11"	5	5"	B	1	11-7	9-11	0-10	0-5	10-4	10"	5	12"	C	Str	5-4	10"	5	12"	12"	0.91	96
10-15	10"	6	5"	A	1	10-10	8-10	1-0	0-6	9-4	11"	6	5"	B	1	11-10	9-10	1-0	0-6	10-4	10"	5	12"	C	Str	5-4	10"	5	12"	12"	0.91	123
15-20	10"	7	5"	A	1	11-1	8-9	1-2	0-7	9-4	11"	7	5"	B	1	12-1	9-9	1-2	0-7	10-4	10"	5	12"	C	Str	5-4	10"	5	12"	12"	0.91	155
20-25	12"	7	5"	A	1	11-1	8-9	1-2	0-7	9-4	13"	7	5"	B	1	12-1	9-9	1-2	0-7	10-4	10"	5	12"	C	Str	5-8	10"	5	12"	12"	1.04	155
25-30	13"	8	5"	A	1	11-2	8-8	1-3	0-8	9-4	14"	8	5"	B	1	12-2	9-8	1-3	0-8	10-4	10"	5	12"	C	Str	5-10	10"	5	12"	12"	1.10	192
30-35	15"	8	5"	A	1	11-2	8-8	1-3	0-8	9-4	16"	8	5"	B	1	12-2	9-8	1-3	0-8	10-4	10"	5	12"	C	Str	6-2	10"	5	12"	12"	1.23	192
35-40	16"	9	5"	A	1	12-2	8-4 1/4	1-11	0-11 3/4	9-4	17"	9	5"	B	1	13-2	9-4 1/4	1-11	0-11 3/4	10-4	10"	5	11"	C	Str	6-4	10"	5	12"	12"	1.29	251

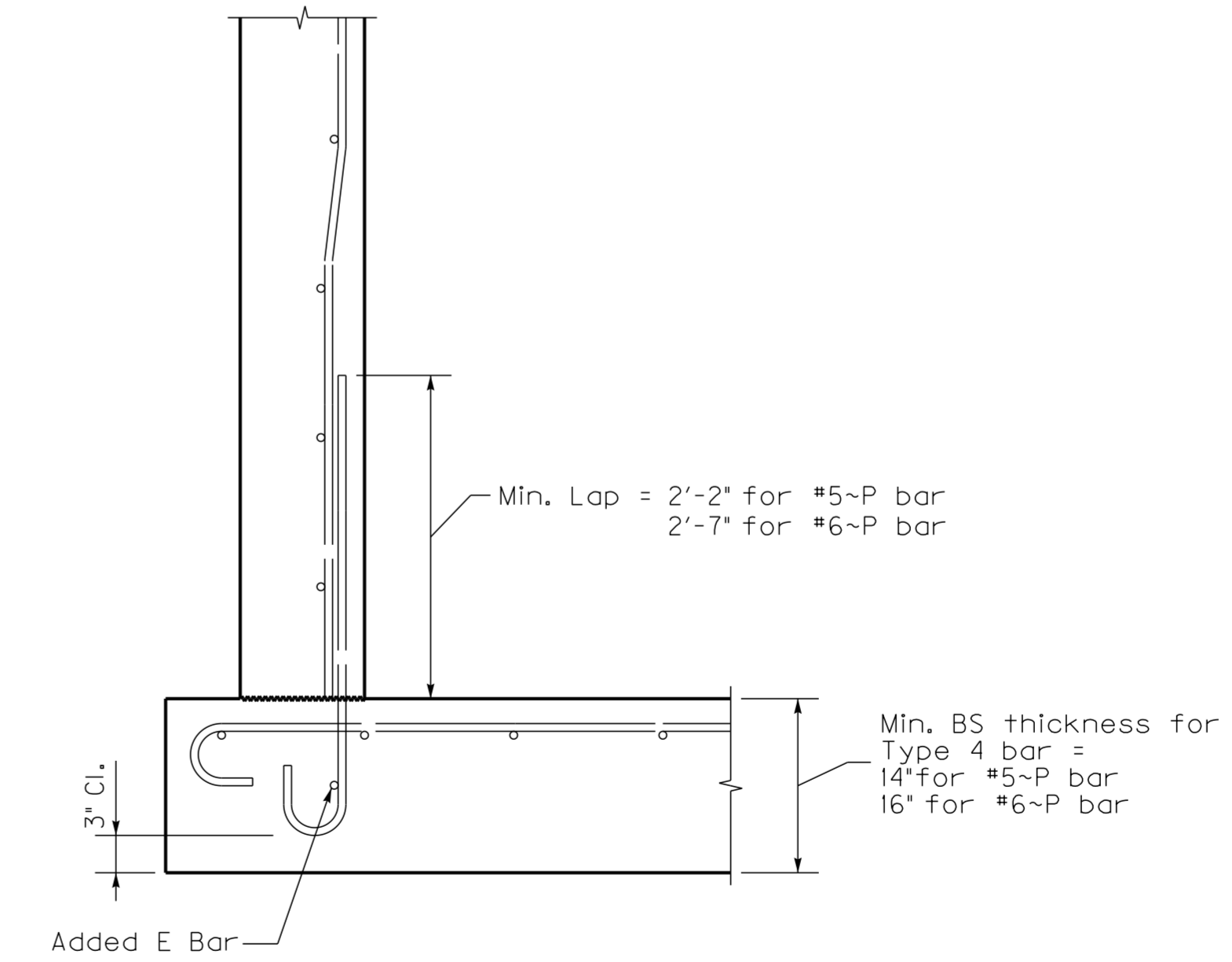
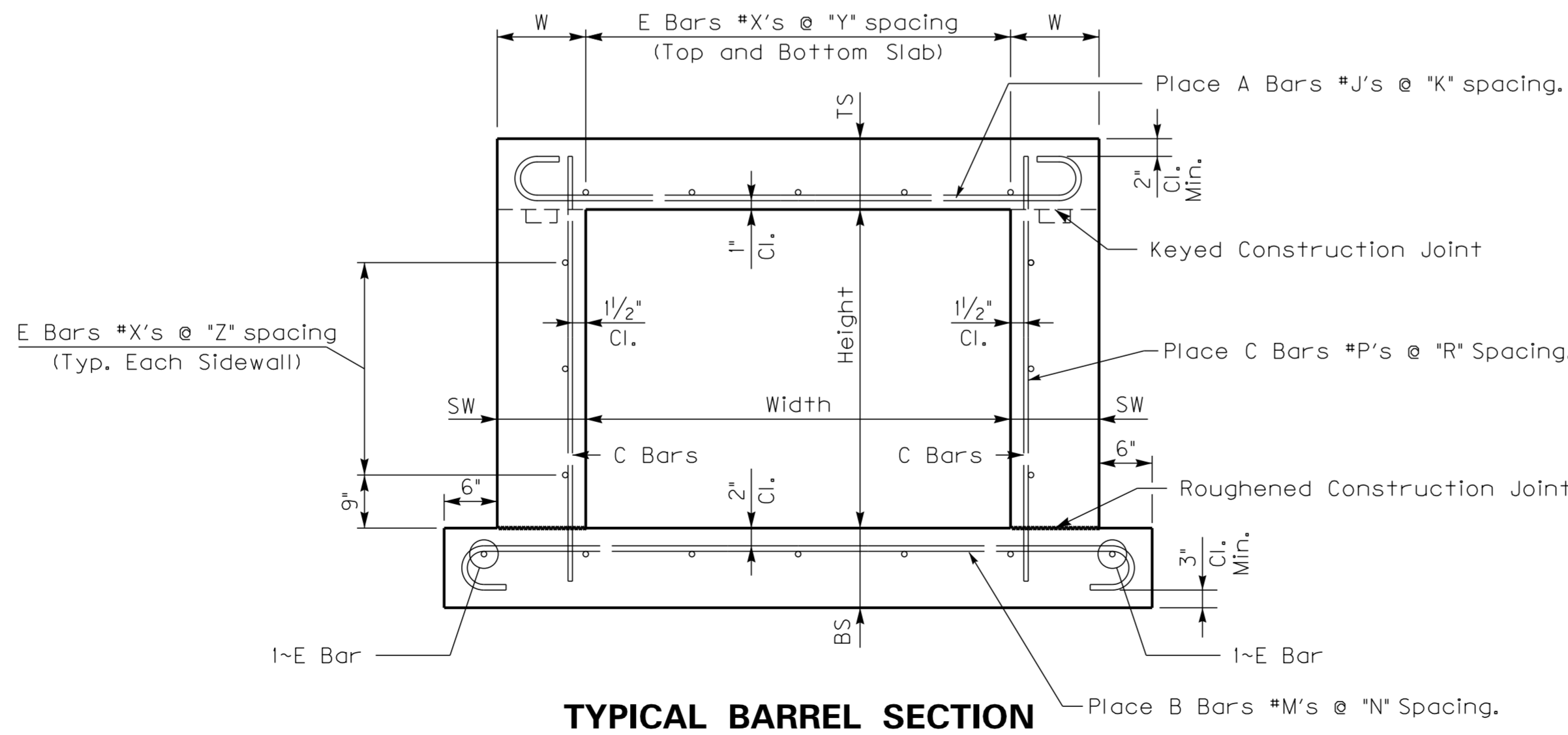
8'-0" Width x 6'-0" Height

Fill Height (Ft.)	Top Slab										Bottom Slab										Sidewall					Mark "E" Distribution				Quantities		
	TS	J	K	Mark	Type	Length	A	B	C	D	BS	M	N	Mark	Type	Length	A	B	C	D	SW	P	R	Mark	Type	Length	W	X	Y	Z	Concrete CY/LF	Steel LBS/LF
0-2	10"	6	6"	A	1	10-10	8-10	1-0	0-6	9-4	11"	6	6"	B	1	11-10	9-10	1-0	0-6	10-4	10"	5	12"	C	Str	7-4	10"	5	12"	12"	1.04	117
2.01-5	10"	6	5"	A	1	10-10	8-10	1-0	0-6	9-4	11"	6	5"	B	1	11-10	9-10	1-0	0-6	10-4	10"	5	12"	C	Str	7-4	10"	5	12"	12"	1.04	131
5-10	10"	5	5"	A	1	10-7	8-11	0-10	0-5	9-4	11"	5	5"	B	1	11-7	9-11	0-10	0-5	10-4	10"	5	12"	C	Str	7-4	10"	5	12"	12"	1.04	105
10-15	10"	6	5"	A	1	10-10	8-10	1-0	0-6	9-4	11"	6	5"	B	1	11-10	9-10	1-0	0-6	10-4	10"	5	12"	C	Str	7-4	10"	5	12"	12"	1.04	131
15-20	10"	7	5"	A	1	11-1	8-9	1-2	0-7	9-4	11"	7	5"	B	1	12-1	9-9	1-2	0-7	10-4	10"	5	11"	C	Str	7-4	10"	5	12"	12"	1.04	164
20-25	12"	7	5"	A	1	11-1	8-9	1-2	0-7	9-4	13"	7	5"	B	1	12-1	9-9	1-2	0-7	10-4	10"	5	9"	C	Str	7-8	10"	5	12"	12"	1.16	169
25-30	14"	8	6"	A	1	11-2	8-8	1-3	0-8	9-4	15"	8	6"	B	1	12-2	9-8	1-3	0-8	10-4	10"	5	8"	C	Str	8-0	10"	5	12"	12"	1.29	184
30-35	15"	9	5"	A	1	12-2	8-4 1/4	1-11	0-11 3/4	9-4	16"	9	5"	B	1	13-2	9-4 1/4	1-11	0-11 3/4	10-4	10"	5	8"	C	Str	8-2	10"	5	12"	12"	1.35	266
35-40	17"	10	7"	A	1	12-7	8-2 3/4	2-2	1-1 1/4	9-4	18"	10	7"	B	1	13-7	9-2 3/4	2-2	1-1 1/4	10-4	10"	5	7"	C	Str	8-6	10"	5	12"	12"	1.48	258

8'-0" Width x 8'-0" Height

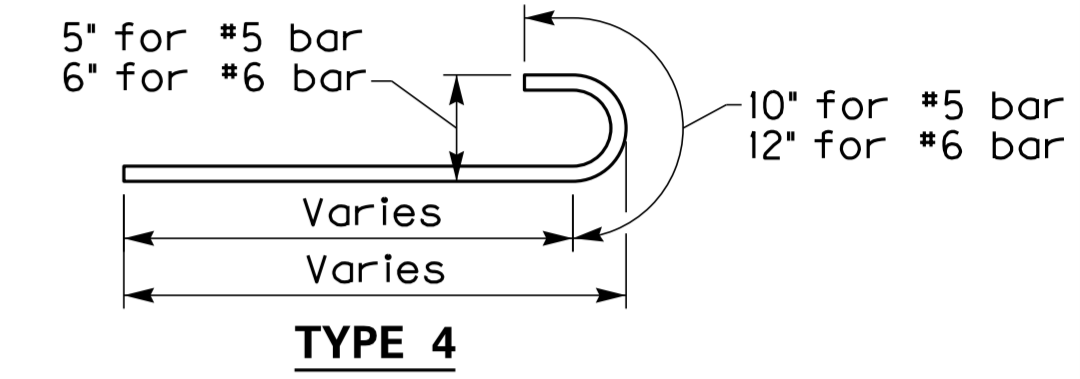
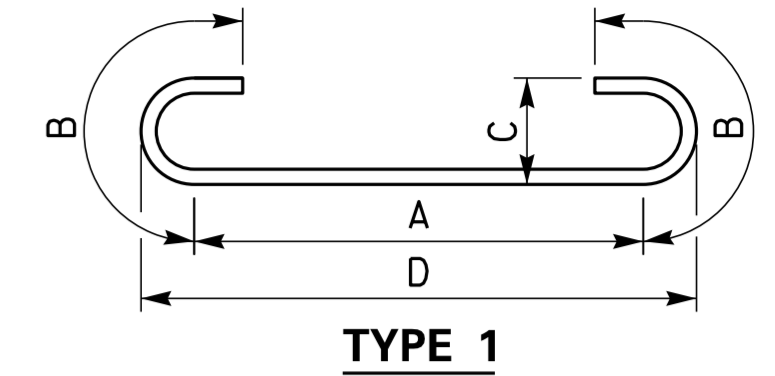
Fill Height (Ft.)	Top Slab										Bottom Slab										Sidewall					Mark "E" Distribution				Quantities		
	TS	J	K	Mark	Type	Length	A	B	C	D	BS	M	N	Mark	Type	Length	A	B	C	D	SW	P	R	Mark	Type	Length	W	X	Y	Z	Concrete CY/LF	Steel LBS/LF
0-2	10"	6	6"	A	1	10-10	8-10	1-0	0-6	9-4	11"	6	6"	B	1	11-10	9-10	1-0	0-6	10-4	10"	5	12"	C	Str	9-4	10"	5	12"	12"	1.16	126
2.01-5	10"	6	5"	A	1	10-10	8-10	1-0	0-6	9-4	11"	6	5"	B	1	11-10	9-10	1-0	0-6	10-4	10"	5	12"	C	Str	9-4	10"	5	12"	12"	1.16	139
5-10	10"	5	5"	A	1	10-7	8-11	0-10	0-5	9-4	11"	5	5"	B	1	11-7	9-11	0-10	0-5	10-4	10"	5	10"	C	Str	9-4	10"	5	12"	12"	1.16	117
10-15	10"	6	5"	A	1	10-10	8-10	1-0	0-6	9-4	11"	6	5"	B	1	11-10	9-10	1-0	0-6	10-4	10"	5	9"	C	Str	9-4	10"	5	12"	12"	1.16	146
15-20	11"	7	5"	A	1	11-1	8-9	1-2	0-7	9-4	12"	7	5"	B	1	12-1	9-9	1-2	0-7	10-4	10"	5	7"	C	Str	9-6	10"	5	12"	12"	1.22	186
20-25	12"	8	5"	A	1	11-2	8-8	1-3	0-8	9-4	13"	8	5"	B	1	12-2	9-8	1-3	0-8	10-4	10"	5	7"	C	Str	9-8	10"	5	12"	12"	1.28	222
25-30	14"	8	5"	A	1	11-2	8-8	1-3	0-8	9-4	15"	8	5"	B	1	12-2	9-8	1-3	0-8	10-4	10"	5	5"	C	Str	10-0	10"	5	12"	12"	1.41	238
30-35	15"	9	5"	A	1	12-2	8-4 1/4	1-11	0-11 3/4	9-4	16"	9	5"	B	1	13-2	9-4 1/4	1-11	0-11 3/4	10-4	10"	6	6"	C	Str	10-2	10"	5	12"	12"	1.47	306
35-40	17"	9	5"	A	1	12-2	8-4 1/4	1-11	0-11 3/4	9-4	18"	9	5"	B	1	13-2	9-4 1/4	1-11	0-11 3/4	10-4	10"	6	5"	C	Str	10-6	10"	5	12"	12"	1.60	321

NOTE:
Bar Dimensions are per bar.



NOTE:
The contractor will not be paid additionally if optional hook detail is used.

NOTE:
A & B bars may need to be rotated to maintain shown clearances.



DATE 11/2017
DRAWN E. Downey
CHECKED J. Van Zee
RECOMMENDED
APPROVED F.H.W.A.
REVISED BY

KENTUCKY
DEPARTMENT OF HIGHWAYS

STANDARD CULVERT
8'-0" WIDTH

STANDARD DRAWING NO. B--003-01

SUBMITTED 11-01-17
DIRECTOR DIVISION OF STRUCTURAL DESIGN DATE
APPROVED 11-01-17
STATE HIGHWAY ENGINEER DATE

